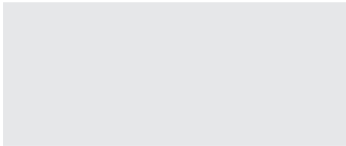




Manufacturing number:



Dealer:



Introduction.....	2
Installation requirements	
- Power take off.....	3
- Oil tank.....	4-5
- Hose dimensions.....	5
- Hydraulic oils	6-7
- Filtering	8
Installing pump.....	9
Hose routing, start up	11
Troubleshooting	12-13
Technical data	15
Warranty conditions.....	16
Warranty certificate	17

Thank you for choosing Sunfab

You have chosen SC 56/26, a dual flow pump which, through its large speed register, supports a variety of applications. It is used together with a gearbox mounted power take-off. Compact design and easy installation makes SC 56/26 one of the mainstays for powerful, trouble free hydraulic systems.

Remember

A trouble-free hydraulic system is created using selected components and correct installation. Consequently, follow the instructions in this manual, which includes checking the power take off, tank design, hose dimensions, installation and start up.

A correct installation is a prerequisite for Sunfab's warranty conditions.

Sunfab Pump selector program can be found at

www.sunfab.se

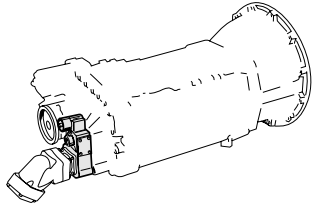
choose language

choose "Products – Power take off – Pump selector program"

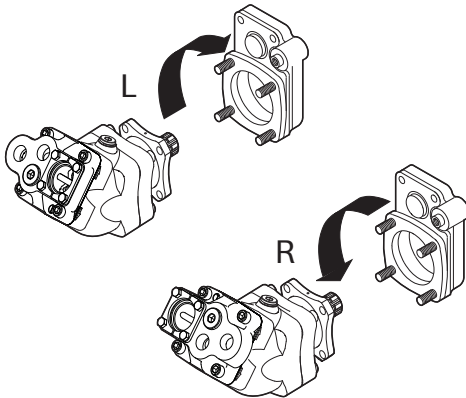
Installation requirements

Power take-off

- Pump mounting according to ISO 7653-D
- Gearbox mounted power take off
- The power take off's outgoing speed must not exceed the max speed of the pump, 1850 rpm
- The permitted torque output on the power take off must be higher than the pump shaft's torque at maximum pressure



20/20 MPa	30/30 MPa	40/40 MPa
178 + 83 = 261 Nm	267 + 124 = 391 Nm	356 + 165 = 521 Nm



- The power take off's direction of rotation must correspond with the selected pump, which is supplied in left-hand (L) or right-hand (R) designs

NOTE! The cover must not be turned to change the direction of rotation.

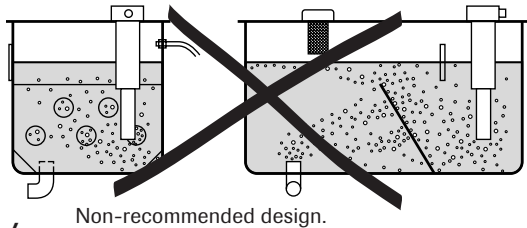
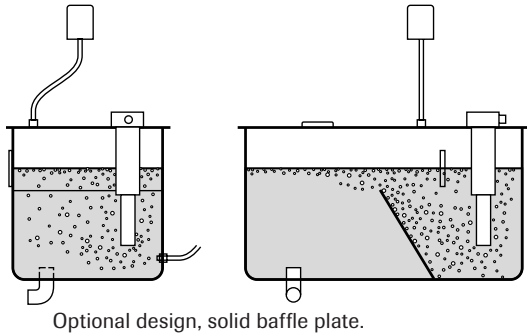
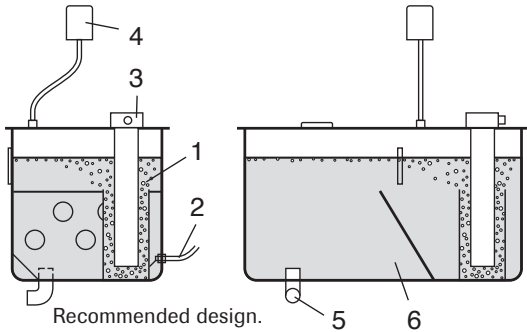
Installation requirements continued

Oil tank

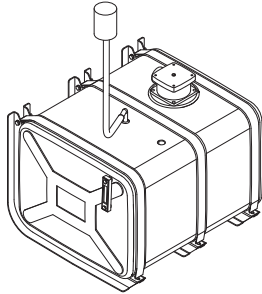
The design of the tank is important so that air bubbles are not drawn into the pump and on into the system. Here are two recommended designs:

1. Air bubbles from return oil are guided by the oil flow up to the oil surface (venting area) via an oil pipe mounted at bottom of the tank. Another option, yet not as reliable, is a tank with a solid baffle plate as shown in the middle picture
2. The drainage hose is connected close to the bottom, as far as possible from the suction connection
3. Large return filter corresponding to 4 x the pump flow
4. Separate air filter, which is fitted protected from water and dirt
5. Suction connection close to or in the bottom of the tank on the opposite side to the return filter
6. The net volume of the tank should be at least 1.5 x the pump flow and positioned so that the oil level lies above the pump

A traditional tank fitted with a baffle plate with holes is not recommended as this does not deaerate the oil satisfactorily.



Installation requirements continued



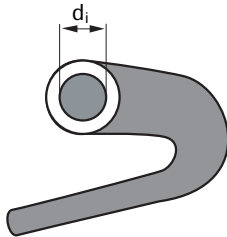
Sunfab oil tank

This tank is included in the Sunfab range of accessories. It incorporates the latest advances in tank design to give trouble-free operation.

The tank is available in two material options: stainless steel and aluminium.

Pressure relief and check valves

The hydraulic system must be equipped with a pressure relief valve for each circuit if the flow is divided into different functions. If the pump's two flows are linked to the same function, check valves must be installed.



If the suction pipe is more than 2 m long the internal diameter must be increased by 10 mm for each meter extension.

All dimensions, internal diameter

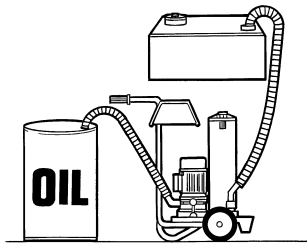
Max combined pump flow	120 l/min	160 l/min
Suction hose	50 mm (2")	64 mm (2½")
Shut off valve	50 mm (2")	64 mm (2½")
Return hose	32 mm (1¼")	38 mm (1½")
Pressure hose	19 mm (¾")	19 mm (¾")
Drainage hose	19 mm (¾")	19 mm (¾")

Installation requirements continued

Hydraulic oil

Quality:

- Mineral oil
Use a high quality oil whose technical properties conform, as a minimum, to the following requirements:
ISO type HM VG 32-68 depending on the ambient air temperature.
Alternatively DIN 51524-2 HLP
- Environment oil
Use synthetic ester that conforms to the same technical requirements as the standards above



Oil filling - Oil changing

- New hydraulic oil in a drum has too high an impurity level. Filling should therefore be done with the help of a filter unit or through the oil tank's return filter
- Do not mix oil of a different quality, viscosity or brand. This will impair the technical properties of the oil

Installation requirements continued

Hydraulic oils

Viscosity:

The viscosity of the hydraulic oil drops (the oil becomes thinner) when the temperature rises. An ideal choice is an oil with a high viscosity index (VI). A higher VI gives less viscosity variation when the temperature changes

- At a viscosity higher than 1500 cSt (limit for cold start) the pump cannot suck in oil
- At a viscosity lower than 10 cSt the lubrication capacity is insufficient. System efficiency will also be impaired
- When there is a risk of the oil temperature in oil tank to exceed 60 °C, an oil cooler must be used



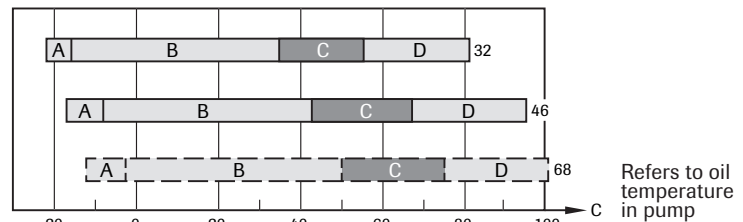
A = The hydraulic system can be started but not loaded. Only circulation pumping at idling speed 1500-700 cSt.

B = The system can be loaded 700-40 cSt.

C = Ideal working range 40-20 cSt.

D = Highest recommended operating temperature 20-10 cSt.

NOTE! The diagram concerns hydraulic oil with viscosity index VI ≈ 180

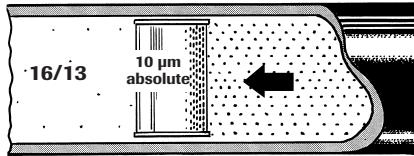


E.g. Hydraulic oil 32: The designation “32” denotes the viscosity is 32 cSt at 40 °C. Lowest start temperature is -23 °C and highest working temperature 82 °C. Ideal working temperature is 35 - 55 °C.

Installation requirements continued

Filtering

Contamination level 16/13



Max 64,000 particles > 5 µm/100 ml.

Max 8,000 particles > 15 µm/100 ml.

To invest in cleanliness is worthwhile:

- Halving of the amount of particles doubles component life
- Halving of the amount of particles reduces the degree of malfunction by half

To conform to most market demands on operating reliability and life span the impurity level of the oil should correspond to class 16/13 as set out in ISO 4406.

Consequently, the hydraulic system is equipped with a return filter and air filter with a degree of filtration equal to 10 µm absolute.

Furthermore, the hydraulic system should be equipped with a pressure filter if necessary.

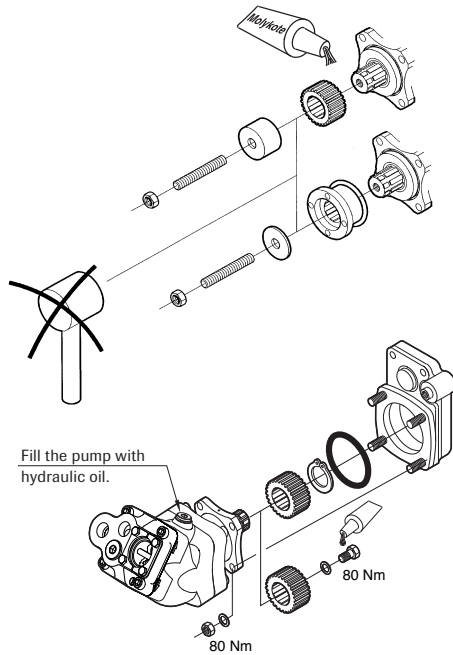
After changing the filter, run with the lowest possible flow for at least 5 minutes to ensure the filter functions.



Changing the filter:

First change after 50 hours of operation. Then whenever the filter pressure indicates too high a pressure at the normal operating temperature for hydraulic oil.

A good rule is to change the air filter at the same time.



Installation

Pump installation

Lubricate the splined shaft before installation using assembly paste intended for spline joints, e.g. Molykote G Rapid plus, or the like. Do not hit the gear wheel/drive disc.

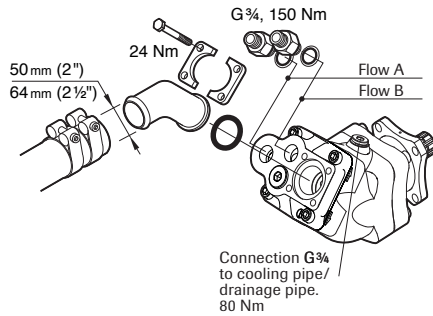
Use a M12 stud bolt and sleeve when assembling the gear wheel.

Use a M12 stud bolt and washer when assembling the drive disc.

Secure the gear wheel using a circlip or M12 bolt and locking fluid.

Secure the O-ring and fit the pump on the power take-off.

The manufacturer of the power take-off may have different requirements.

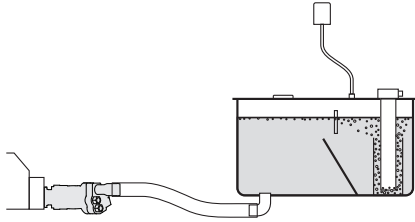


Connections

Secure the O-ring and tighten the suction connection bolts cross-wise. Tighten the hose using two heavy-duty hose clips.

To maintain the speed characteristics do not use a strainer on the SC-pump.

Use pressure connections with flat seals against the pump for optimal strength. Do not use connections with tapered threads.



The pump can be installed in 4 positions with the angle upwards, downwards or to the side. When the angle is to the side it is an advantage if the pump can be twisted so that the suction connection is highest.

Tank location and hose routing

The tank should be positioned as high and as close to the pump as possible in order to create good suction conditions for the pump.

The suction pipe is routed so that air pockets cannot form, to prevent cavitation and noise.

SC 56/26 is internally drained.

Start up

Start and run the pump unloaded at idling speed and allow the hydraulic oil to circulate through the hydraulic system for at least five minutes before the system's functionality is tested.

Troubleshooting

Measures with malfunctioning hydraulic system

Fault	Troubleshooting	Cause	Action
The equipment works jerkily	Check whether the flow in pressure hose from the pump pulsates. Oil spots on the pump and suction hose can indicate an air leakage Check the oil level in tank Check whether the oil foams	<ol style="list-style-type: none"> 1. Pump not vented after installation 2. Airleakage on the suction hose or pump 3. Oil level too low 4. Not optimal designed tank for separation of air from the oil 5. Oil tank with too small air venting area 	<ol style="list-style-type: none"> 1. Vent the pump 2. Repair the air leakage 3. Fill with oil 4. Replace the return filter with oil pipe or tank with solid baffle plate 5. Change to a tank with a greater air venting area
The equipment works jerkily when starting and at a high pump speed	Check whether the pump cavitates. This is noticeable through flow pulsations and noise from the pump ceasing when the speed is lowered	<ol style="list-style-type: none"> 1. Too small diameter on the suction hose 2. Crushing or restriction of the suction hose 3. Oil too thick 4. Underpressure in the oil tank 	<ol style="list-style-type: none"> 1. Change to a suction hose with a larger diameter 2. Remove the restriction 3. Change to an oil with a lower viscosity 4. Change the air filter
The oil has an abnormally high temperature	Run the pump unloaded at working speed and measure the counter pressure. Connect a pressure gauge to the pressure hose close to the pump. The pressure must not exceed 2 MPa. Check whether the pressure rises to the correct value when a function is run towards the stop	<ol style="list-style-type: none"> 1. Too small a diameter or restriction in the pressure or return hoses 2. Clogged pressure or return filter 3. Oil flow too great 4. Pressure relief valve tripped at too low a pressure 5. Oil too thin 6. Oil tank too small 7. Oil level too low 8. High continuous power output 	<ol style="list-style-type: none"> 1. Change to hoses with a larger diameter; rectify the restriction 2. Replace the filter 3. Lower the speed or change to a smaller pump 4. Adjust the valve or replace if necessary 5. Change to an oil with a higher viscosity 6. Change to a larger oil tank 7. Fill with oil 8. Fit an oil cooler
The equipment has a lack of power	Check whether the pressure rises to the correct value when a function is run towards the stop	<ol style="list-style-type: none"> 1. Pressure relief valve tripped at too low a pressure 2. Defective directional control valve 	<ol style="list-style-type: none"> 1. Adjust the valve or replace if necessary 2. Replace the directional control valve



If oil leakage has occurred by a damaged shaft seal, ensure that no hydraulic oil has entered the gearbox!

Fault	Troubleshooting	Cause	Action
The equipment runs abnormally slowly when loaded	Connect a flow meter close to the pump. Check the flow 1. The correct flow is obtained when loaded 2. Abnormally low flow obtained when loaded	1. Pressure relief valve tripped at too low a pressure 2. Worn pump	1. Adjust the valve or replace if necessary 2. Replace the pump
Noise from the pump	1-5. Check whether the pump cavitates This is indicated by the noise stopping when the speed drops Check whether the noise propagates in the hydraulic system 6. Check whether the noise can be heard at all speeds	1. Too small diameter on the suction hose 2. Crushing or restriction of the suction hose 3. Oil too thick 4. Underpressure in the oil tank 5. Worn pump 6. Not optimal designed tank for separation of air from the oil	1. Change to a suction hose with a larger diameter 2. Remove the restriction 3. Change to an oil with a lower viscosity 4. Change the air filter 5. Replace the pump 6. Fit a return filter with oil pipe or tank with solid baffle plate
Oil leakage from the pump	Localise the oil leakage	1. Leakage from suction connection 2. Leakage from shaft seal 3. Leakage from air screws	1. Replace the O-rings and tighten the hose clips 2. Replace the shaft seals 3. Replace the sealing washers and tighten carefully (15 Nm)
The pump shakes (intermediate shaft assembly)	Check whether the pump shakes, despite the flow not pulsating, i.e. the attachment does not jerk	1. Play on intermediate shaft 2. Incorrect joint angle on intermediate shaft 3. Imbalance on intermediate shaft 4. The universal joints are not in line with each other	1. Replace the intermediate shaft 2. Ensure that the spindle on the power take off and pump shaft are parallel 3. Rectify the countershaft 4. Loosen and turn the spline coupling so that the universal joints are aligned with each other

Technical data SC 56/26

		l/min		
Nominal oil flow A+B	600	$33.5 + 15.5 = 49$		
at pump speed	1000	$56.0 + 26.0 = 82$		
rpm	1200	$67.0 + 31.0 = 98$		
	1500	$84.0 + 39.0 = 123$		
	1800	$100.5 + 46.5 = 147$		
Displacement A+B	cm ³ /rev	$56 + 26$		
Max pump speed A+B	rpm	1850		
Max working pressure	MPa	40		
Weight	kg	18		
Tare-weight torque	Nm	21		
		20 MPa	30 MPa	40 MPa
Nominal power at pressure	600	$11.2 + 5.2 = 16.4$ kW	$16.8 + 7.8 = 24.6$ kW	$22.3 + 10.3 = 32.6$ kW
and pump speed	1200	$22.3 + 10.3 = 32.6$ kW	$33.5 + 15.5 = 49.0$ kW	$44.7 + 20.7 = 65.4$ kW
rpm	1800	$33.5 + 15.5 = 49.0$ kW	$50.3 + 23.3 = 73.6$ kW	$67.0 + 31.0 = 98.0$ kW
		20 MPa	30 MPa	40 MPa
Nominal torque on pump shaft		$178 + 83 = 261$ Nm	$267 + 124 = 391$ Nm	$356 + 165 = 521$ Nm
at different pressures				
Direction of rotation		supplied in right or left-hand design		

Warranty conditions for SC 56/26

The Warranty certificate/Claim is a valuable document, which should be completed by the mechanic after installation.

Applicable delivery conditions are Orgalime S 2000, with the following additions, unless otherwise agreed.

- The warranty is valid for 12 months from when the product is put into operation, however a maximum 18 months from the delivery date from SUNFAB
- The warranty is only valid when the pump is installed and used according to the Instruction manual
- The warranty does not apply when the pump's serial number is missing
- The warranty does not embrace labour costs when replacing the pump
- When making a claim the damaged pump should be sent with the completed warranty certificate/claim form to SUNFAB. The claimant pays freight costs
- When the claim, after analysis of the pump by SUNFAB is not upheld, the claimant will be charged costs for the claim analysis, corresponding to EUR100, and costs to return the pump to the claimant

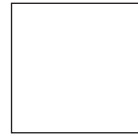
Garantibevis/Reklamationsansökan

Warranty Certificate/Claim

Ägare: Owner:	Datum: Date:
Företag: Company:	
Adress: Address:	
Post nr - Ort: Post Code - Place:	Land: Country:

Upplysningar om applikationen/Information about the application

Forдон: Vehicle:	Reg. Nr.: Reg. No.:	Växellåda modell: Gearbox Model:	Arbetsvarvtal motor: Working rpm engine:
	Kraftuttag: PTO:	Utväxling: Ratio:	
Typ och märke på applikationen: Type and brand of the application:	<input type="checkbox"/> Tipp Tipper	<input type="checkbox"/> Styckegodskran Loader crane	<input type="checkbox"/> Skogskran Forestry crane
	<input type="checkbox"/> Lastväxlare Hook lift	<input type="checkbox"/> Annan Other	
Pump/Motor Sunfab	Serie nr Serial No.	Suganslutning Ø mm Suction connection Ø mm	Trykanslutning Ø mm Pressure connection Ø mm
	Returslang Return hose Ø mm	Dräneringsslang Case drain hose Ø mm	Signalslang Signal hose (LS) Ø mm
Montering: Mounting:	<input type="checkbox"/> Direktmonterad Direct mounted	<input type="checkbox"/> Mellanaxel Intermediate shaft	<input type="checkbox"/> Annan Other
	Arbetstryck bar Operating pressure bar	<input type="checkbox"/> Tryckbegränsningsventil, inställningstryck MPa Pressure relief valve, pressure settings MPa	Monteringsdatum Date of mounting
			<input type="checkbox"/> Ingen tryckbegränsningsventil No pressure relief valve
Filtrering: Filtration:	<input type="checkbox"/> Sugsil Suction strainer	<input type="checkbox"/> Returfilter-grad Return filter - grade	<input type="checkbox"/> Tryckfilter-grad Pressure filter - grade
Oljebehållare: Oil tank:	Tilverkare Manufacturer		Nettovolym liter Net.volume litre
			Typ av olja/ Oil type
Kommentarer: Comments:		Leverantörens stämpel: Stamp of supplier:	
.....			
.....			



.....

.....

.....

.....

Garantibevis/Reklamationsansökan

Warranty Certificate/Claim

Ägare: Owner:	Datum: Date:
Företag: Company:	
Adress: Address:	
Post nr - Ort: Post Code - Place:	Land: Country:

Upplysningar om applikationen/Information about the application

Fordon: Vehicle:	Reg. Nr.: Reg. No.:	Växellåda modell: Gearbox Model:	Arbetsvarvtal motor: Working rpm engine:
	Kraftuttag: PTO:	Utväxling: Ratio:	
Typ och märke på applikationen: Type and brand of the application:	<input type="checkbox"/> Tipp Tipper	<input type="checkbox"/> Styckegodskran Loader crane	<input type="checkbox"/> Skogskran Forestry crane
	<input type="checkbox"/> Lastväxlare Hook lift	<input type="checkbox"/> Annan Other	
Pump/Motor Sunfab	Serie nr Serial No.	Suganslutning Ø mm Suction connection Ø mm	Tryckanslutning Ø mm Pressure connection Ø mm
	Returslang Return hose Ø mm	Dräneringslang Case drain hose Ø mm	Signalslang Signal hose (LS) Ø mm
Montering: Mounting:	<input type="checkbox"/> Direktmonterad Direct mounted	<input type="checkbox"/> Mellanaxel Intermediate shaft	<input type="checkbox"/> Annan Other
	Arbetstryck bar Operating pressure bar	<input type="checkbox"/> Tryckbegränsningsventil, inställningstryck MPa Pressure relief valve, pressure settings MPa	<input type="checkbox"/> Ingen tryckbegränsningsventil No pressure relief valve
Filtrering: Filtration:	<input type="checkbox"/> Sugsil Suction strainer	<input type="checkbox"/> Returfilter-grad Return filter - grade	<input type="checkbox"/> Tryckfilter-grad Pressure filter - grade
Oljebehållare: Oil tank:	Tillverkare Manufacturer	Nettovolymer liter Net volume litre	Typ av olja/ Oil type
Kommentarer: Comments:	Leverantörens stämpel: Stamp of supplier:		
.....			
.....			

Notes

.....

.....

.....

.....

.....

.....

.....

.....

.....

.....

.....

.....

.....

.....

.....

.....



WARNING

When the pump is running:

1. Do not touch the pressure hose
2. Watch out for rotating parts
3. The pump and hoses may be hot

